

VIBREX[®] Conveyor Belt Cleaner



VIBREX® Conveyor belt cleaner

The right choice

Dirt

... immense, day by day. Many tons are spread over large areas and on the conveyor belt construction, obstructing the regular material flow. At worst, important equipment is destroyed. This results in loss of production and high costs.

Cleaning

There is no universal cleaner with the same, good effect for all applications. The VIBREX®-kit system allows to deliver the optimal scraper type for the individual solution of your cleaning problem within a short time.

Service

Conveyor belt cleaners work under extreme conditions, for the most part in continuous operation. VIBREX®-Cleaners consist of a few, type-compatible components. They are robust, quickly to mount and easy to adjust respectively to maintain. On request, our specialized personnel is always at your disposal. Please ask for our reasonable rates.

Costs

Long service life of the cleaning elements ensure low maintenance costs and guarantee a permanent and reliable effect. By applying VIBREX®-Conveyor belt cleaners, you will reduce costs that could result from missing or badly working cleaners.

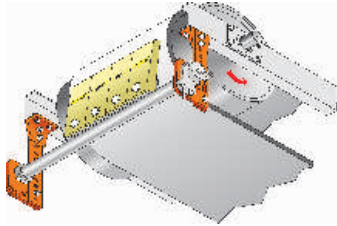
**Dirty conveyor belt transfers
will become clean transfer points**

VIBREX® Conveyor belt cleaner

The right type

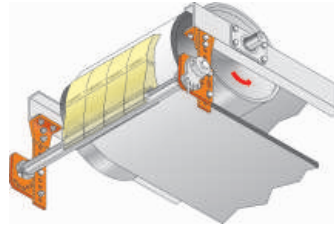
...at the drum

Front cleaner
Type PRAKTIK



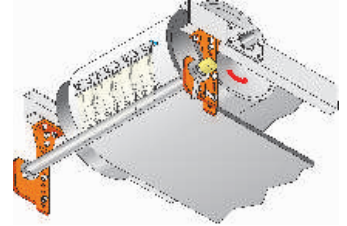
polyurethane
blades

Front cleaner
Type CLIP



polyurethane
blades

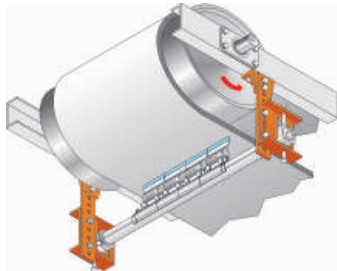
Head cleaner
VXK 100



hard metal
blades

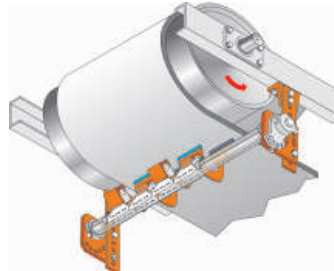
...under the
lower belt

Spring blade cleaner
Type CLIP / FIX



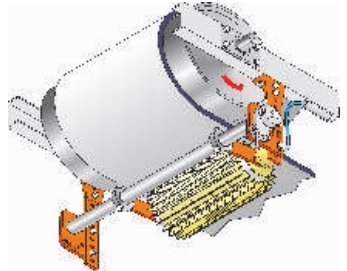
hard metal
blades

Main cleaner
Type CLIP / FIX



hard metal
blades

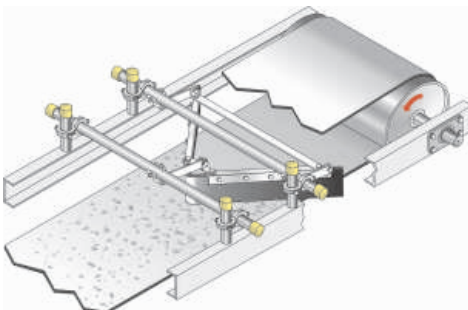
Cleaning brush



polyurethane
elements

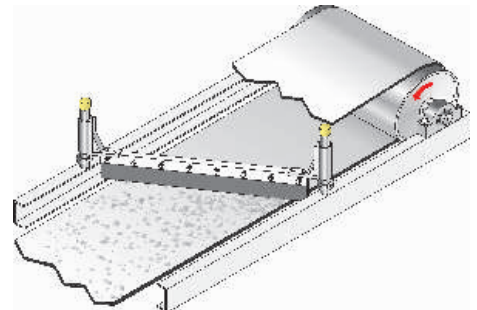
...on the
lower belt

Plough cleaner



multilayer rubber

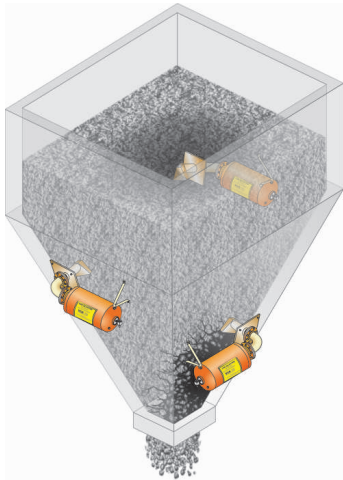
Transversal cleaner



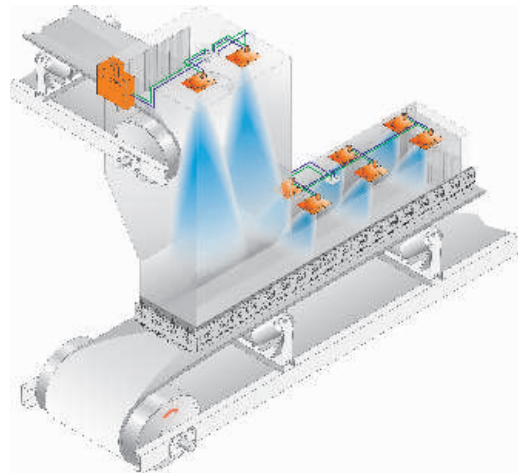
multilayer rubber

... for belt widths of 400 up to 2000 mm

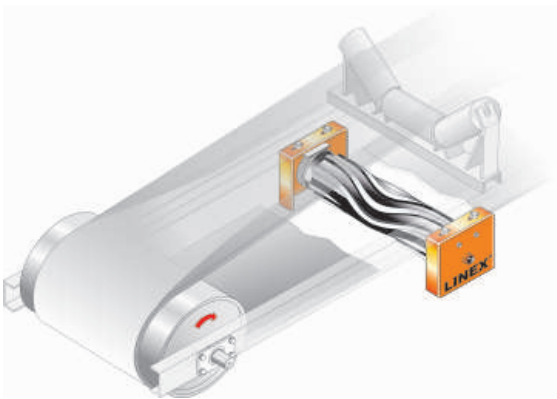
Product programme



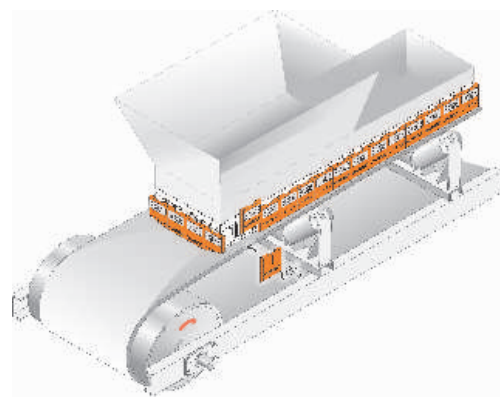
VSR BLASTER® Air cannons and air injectors



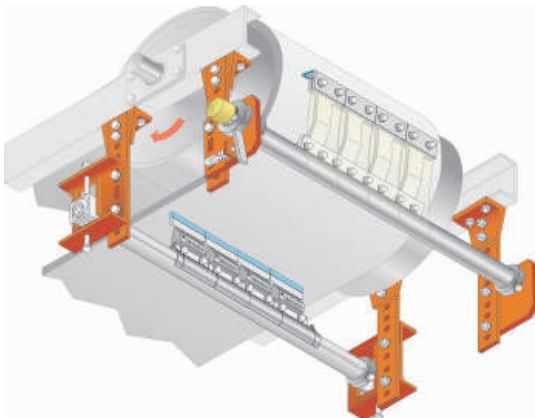
DUSTEX® Dust suppression system



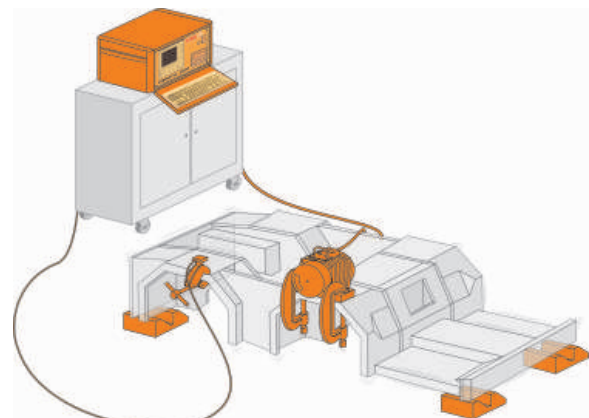
LINEX® Conveyor belt centralizing idler



CAREX® sealing of conveyor belt transfers



VIBREX® Conveyor belt cleaning



VIBMATIC 6000® Vibration stress reduction

VSR



VSR Industrietechnik GmbH
Am Alten Schacht 6
D- 47198 Duisburg
Tel. +49 (0) 20 66 / 99 66-30
Fax +49 (0) 20 66 / 99 66-62

Internet: www.vsr-industrietechnik.de

E-mail: info@vsr-industrietechnik.de