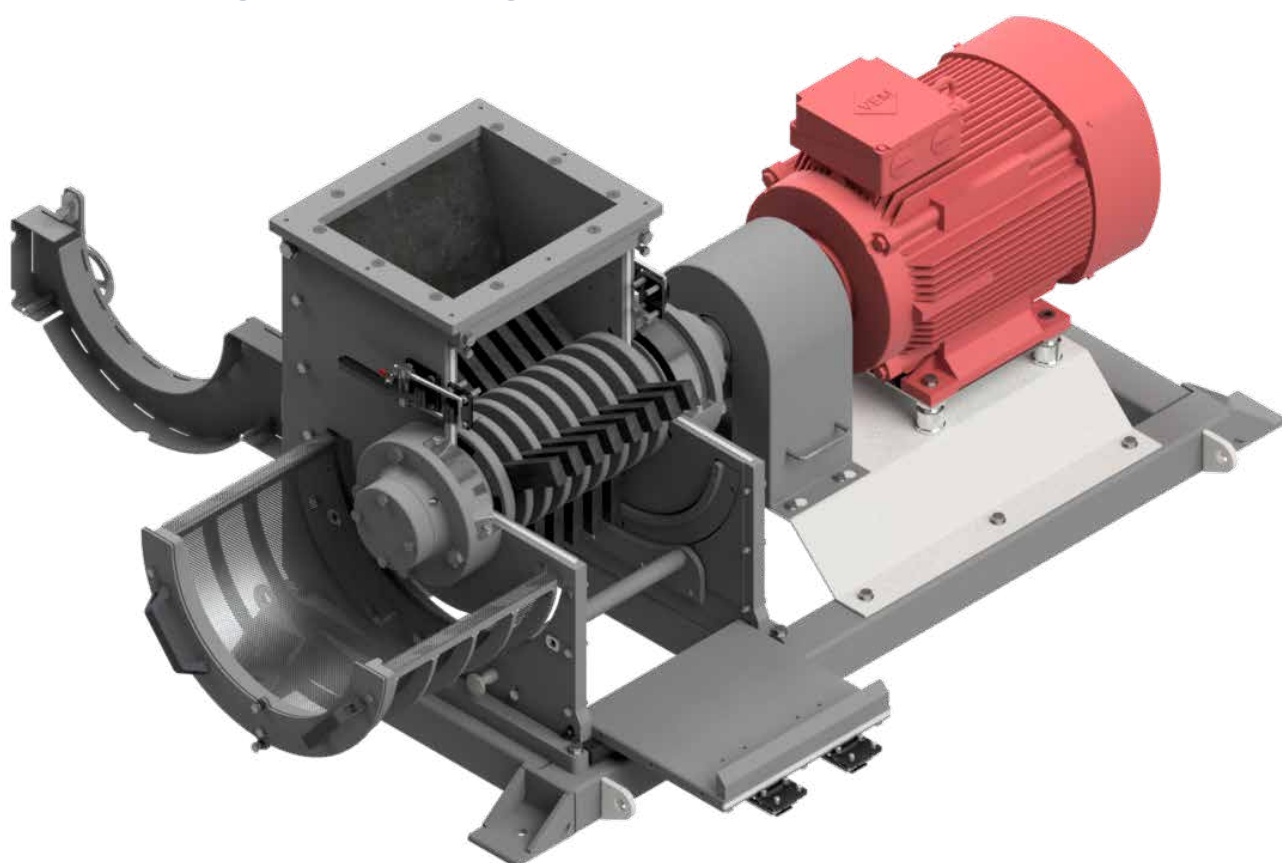




HAMMER MILLS

HM 142, HM 342, HM 672



MATERIAL EXAMPLES

- gypsum
- rock salt
- plastic composites
- foundry sand
- glass granulate
- electronic scrap
- horn
- brake pads
- press cake
- LCD displays
- bones
- circuit boards
- fibre cement
- wood
- fertilizers
- sewage sludge



INDUSTRIJSKA TEHNIKA

www.knez-inteh.hr
info@knez-inteh.hr
 m: +385 98 180 1416
 m: +385 98 923 5330



HAMMER MILLS

HM 142, HM 342, HM 672

The robust, industrial hammer mills type HM 142, HM 342 and HM 672 are used for crushing materials ranging from dry to damp, soft to tough, chewy to brittle. Depending on product characteristics and the desired milling result, both types may be equipped with a variety of sieve and bar grate screen inserts. Comfortable access to hammers, shaft and sieve insert for revision and maintenance is provided by the foldaway fronthousing. The sieve insert is easily changed from the side. The JEHLICH hammer mills are designed for both standalone operation (batch) and direct integration into a production line.

Both types are available in mild and stainless steel.

Type	HM 142	HM 342	HM 672
Motor rating	up to 7,5 kW	up to 18,5 kW	up to 45 kW
Feeding width	140 mm	340 mm	670 mm
Weight	approx. 300 kg	approx. 460 kg	approx. 650 kg
Dimensions	approx. 1160 x 620 x 600 mm	approx. 1450 x 620 x 600 mm	approx. 1790 x 690 x 690 mm
Capacity	up to 10 t/h	up to 20 t/h	up to 40 t/h

OPTIONS

Request your specific hammer mill layout. We prepare your customized solution based on our modular system and integrate the mill into your production environment. Ask us for peripheral components like charge and discharge, dosing and weighing solutions, metal separators and sieves, bag and big bag discharge and charging stations as well as comprehensive pneumatic transport solutions to and from the mill.



FULL SERVICE

Optimize the operational performance of your plant with our dedicated maintenance services. We warrant short term availability of original spare parts throughout the life time of your plant.

Milling trials
& Analysis

Project planning
& Engineering

Manufacturing
& Installation

Training
& Commissioning

Maintenance
& Service